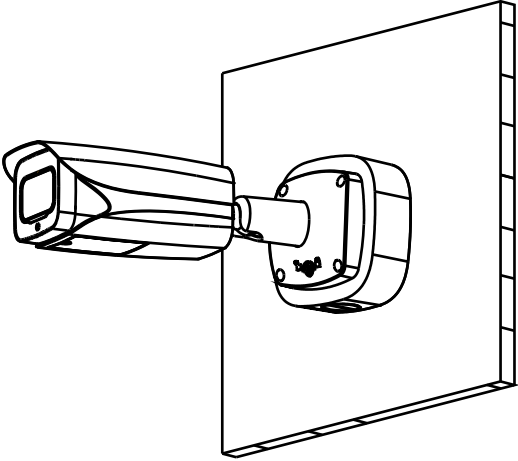
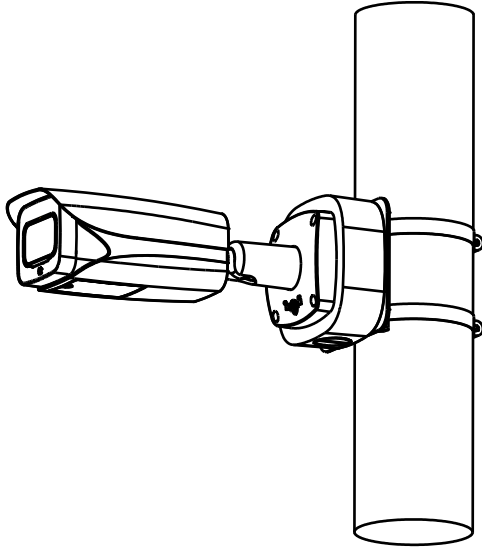


<b>Junction Mount</b>	<b>Pole Mount</b>
<b>PFA121</b>	<b>PFB121 + PFA152</b>
 A technical line drawing showing a junction mount. It consists of a rectangular mounting plate with a circular base. A cylindrical arm extends from the center of the base, holding a rectangular light fixture. The light fixture has a lens on its front face and a mounting bracket on its back.	 A technical line drawing showing a pole mount. It features a vertical cylindrical pole. A circular base is attached to the pole with a band. A cylindrical arm extends from the center of the base, holding a rectangular light fixture. The light fixture is identical to the one shown in the junction mount diagram.

