

TG2314AFCS-3

2.3mm F1.4
for 1/3 type Cameras, Fixed-focal Auto Iris VIDEO Drive
CS-Mount

with Focus and Amplifier

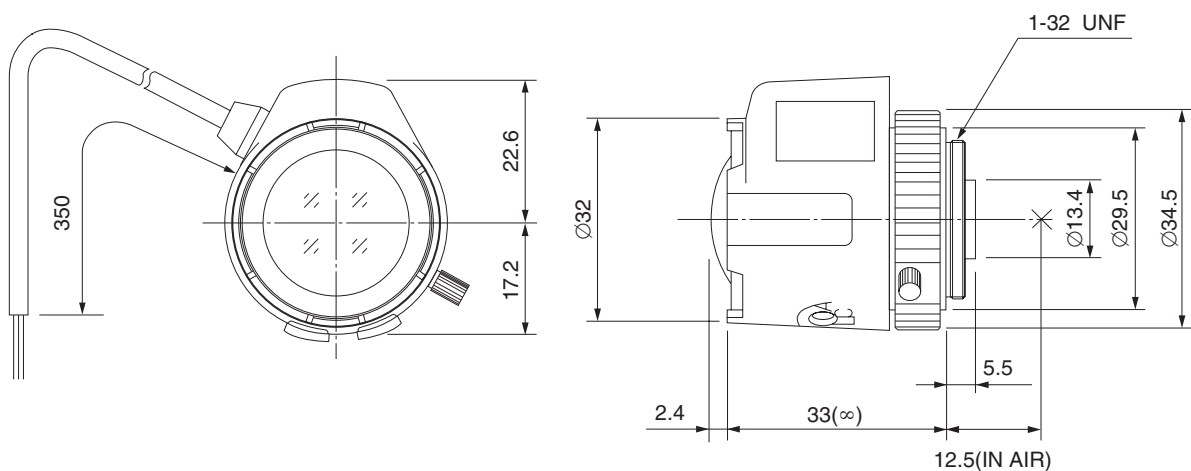
1/3
type

CS

Model No.	TG2314AFCS-3		Effective	Front	Ø22.8mm	
Focal Length	2.3mm		Lens Aperture	Rear	Ø7.0mm	
Max. Aperture Ratio	1:1.4		Back Focal Length	7.1mm		
Max. Image Format	4.8mm x 3.6mm(Ø6mm)		Flange Back Length	12.5mm		
Operation Range	Iris	F1.4 - F360C	Mount	CS-Mount		
	Focus	0.2m - Inf.	Filter Size	—		
Control	Iris	Video Auto Iris	Dimensions	Ø32mm x 39.8mm x 35.4mm		
	Focus	Manual	Weight	48g		
Object Dimension at M.O.D.	60.8cm x 37.5cm					
Angle of View	D	1/3 type	137.9°	1/4 type	106.7°	
	H		113.3°		86.3°	
	V		86.3°		65.3°	
Supply Voltage	DC8V - DC16V					
Current	Less than 35mA					
Response Time	Approx. 2 sec.					
Light Weighting Method	Adjustable between Average - Peak (to be Set at Average at Factory)					
Input Signal	Video Signal (V. or V.S.)					
Iris Accuracy	±15% at Video Signal Level					
Sensitivity Adjustment	0.5V(p-p) - 1.0V(p-p) (Video Signal)					
Input Impedance	High Impedance					
Operating Temperature	-20°C - +50°C					

M.O.D : Minimum Object Distance

Dimensions



Wiring Diagram

