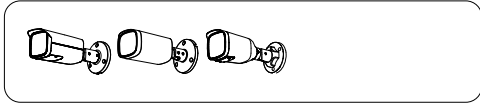


Bullet Network Camera Installation Guide

V1.0.0

1.2.51.32.15633-000



Optional

1. Mounting the camera on a wall using a mounting bracket. A circular callout shows a 110mm diameter hole.
2. Mounting the camera on a wall using a mounting bracket with a reset button and a Micro SD card slot. A circular callout shows the reset button and another callout shows the Micro SD card slot.

A

1. Marking the wall with a pencil and a 5mm diameter hole.
2. Drilling a hole in the wall.
3. Inserting the mounting bracket into the hole.
4. Tightening the screws to secure the bracket.
5. Mounting the camera onto the bracket.

B

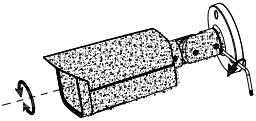
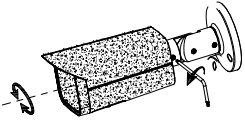
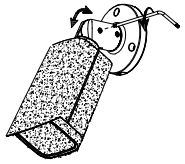
1. Marking the wall with a pencil and a 5mm diameter hole.
2. Drilling a hole in the wall.
3. Inserting the mounting bracket into the hole.
4. Tightening the screws to secure the bracket.
5. Mounting the camera onto the bracket.
6. Mounting the camera onto the bracket.

a

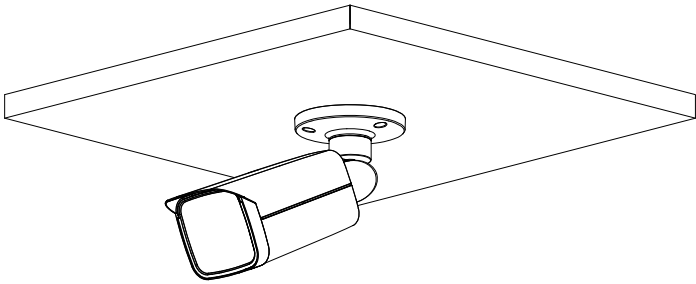
1. Stripping the outer jacket of the cable.
2. Stripping the individual conductors.
3. Inserting the conductors into the RJ45 connector.
4. Crimping the conductors onto the RJ45 connector.

b Optional

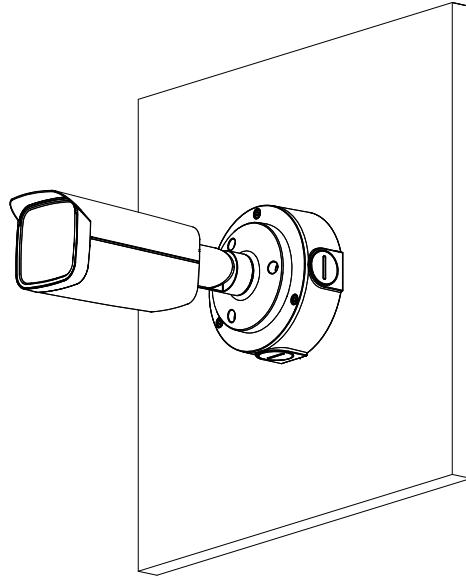
1. Stripping the outer jacket of the cable.
2. Stripping the individual conductors.
3. Inserting the conductors into the BNC connector.
4. Crimping the conductors onto the BNC connector.
5. Mounting the BNC connector onto the camera.



Ceiling Mount



Junction Mount



Pole Mount(Vertical)

