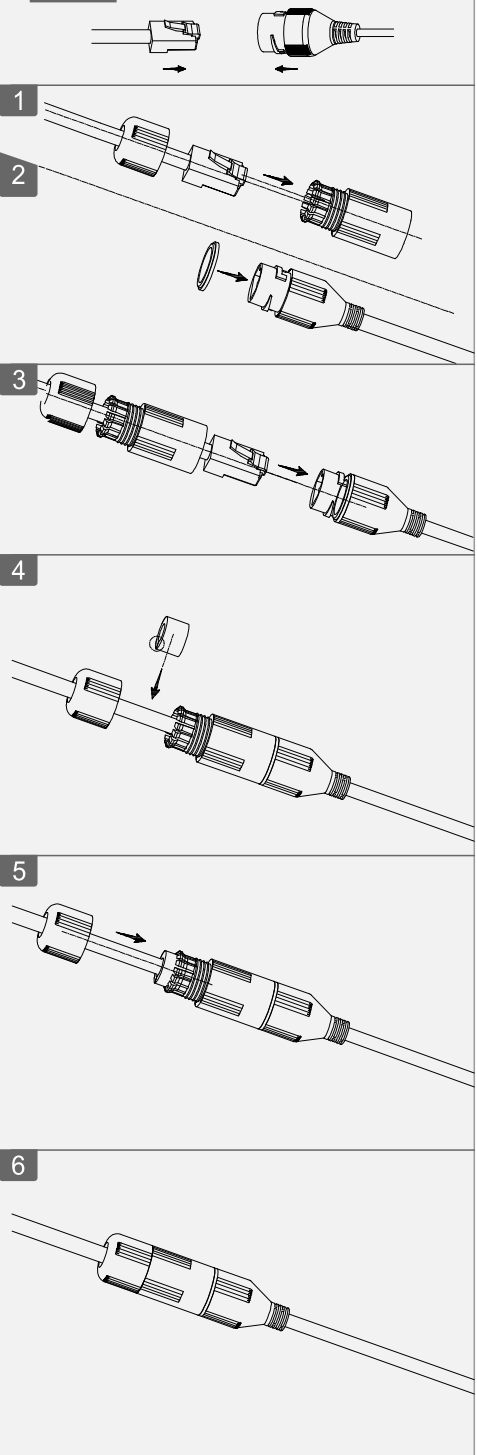
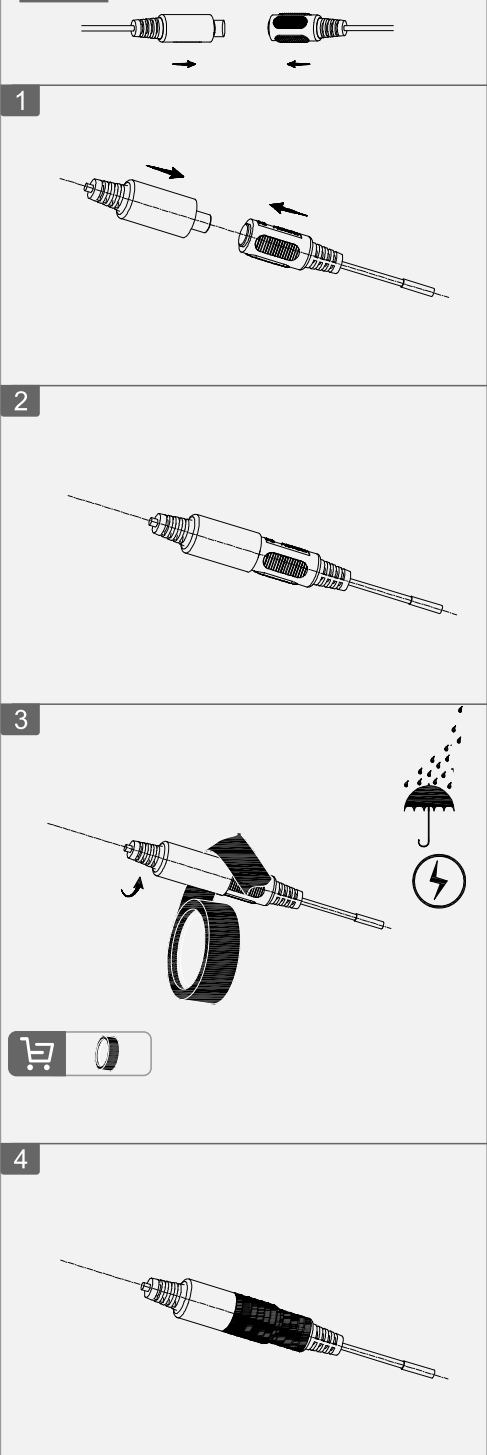


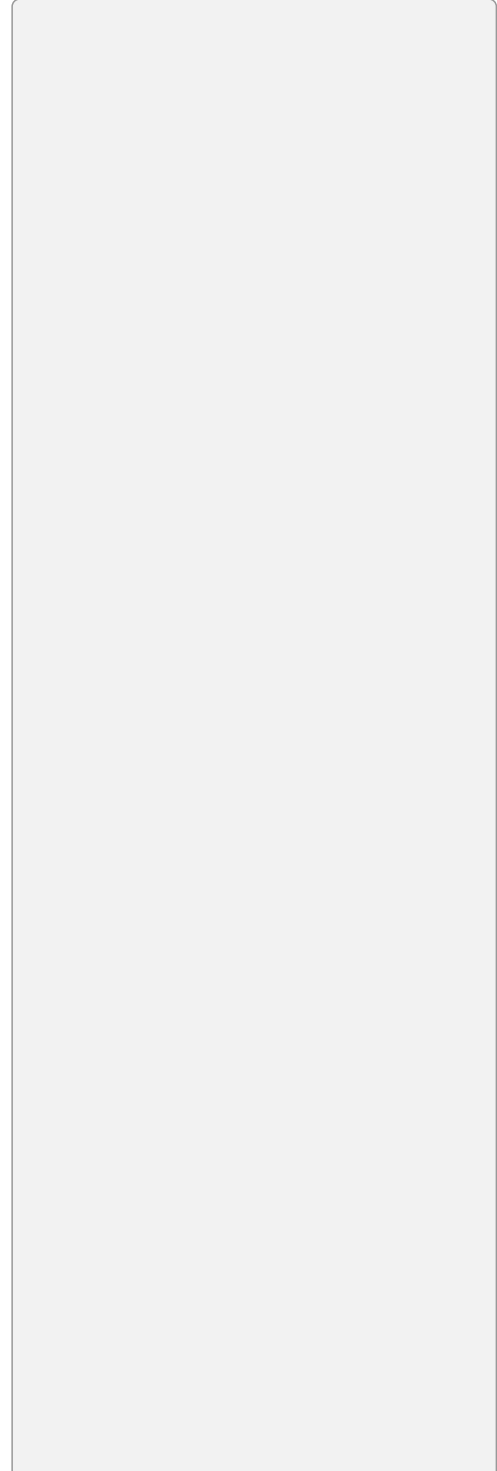
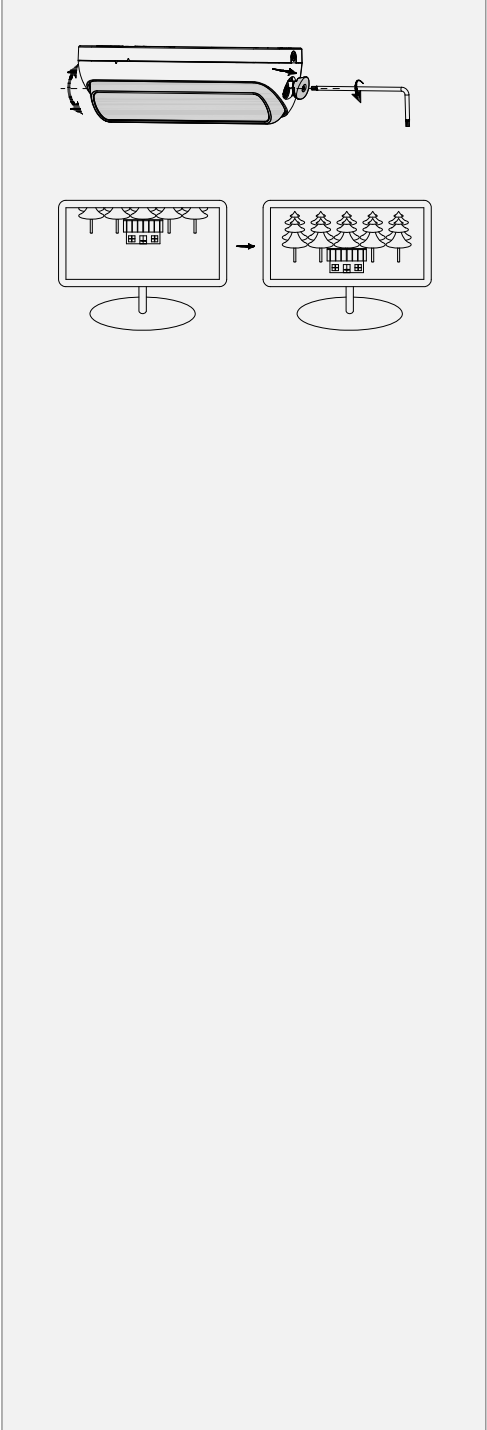
A Optional



B



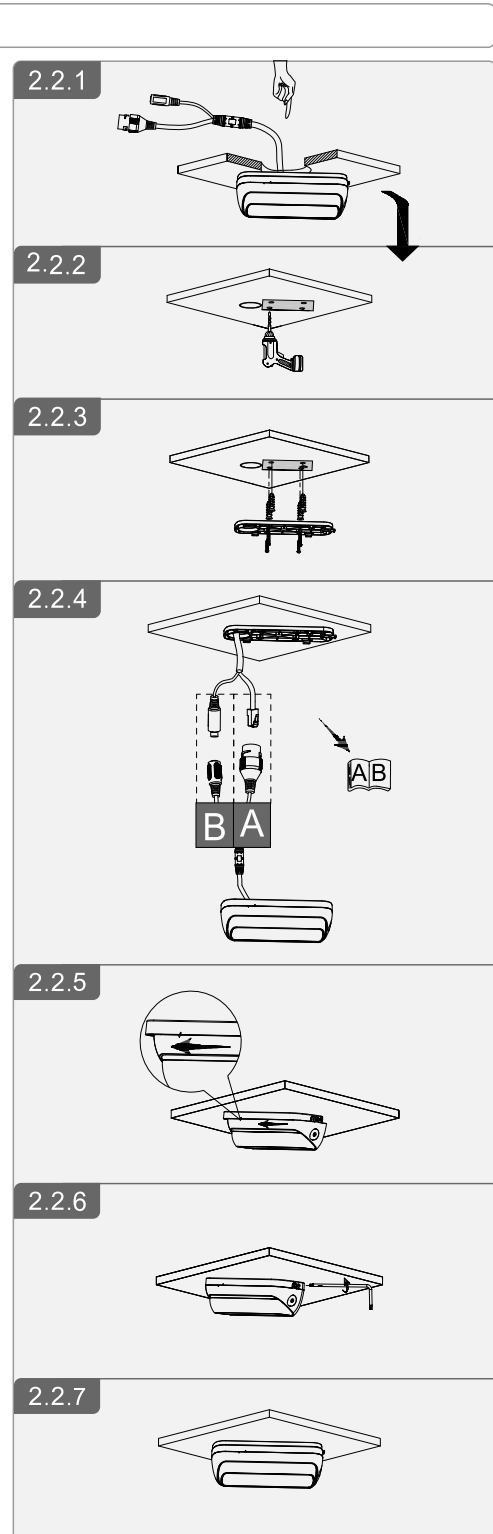
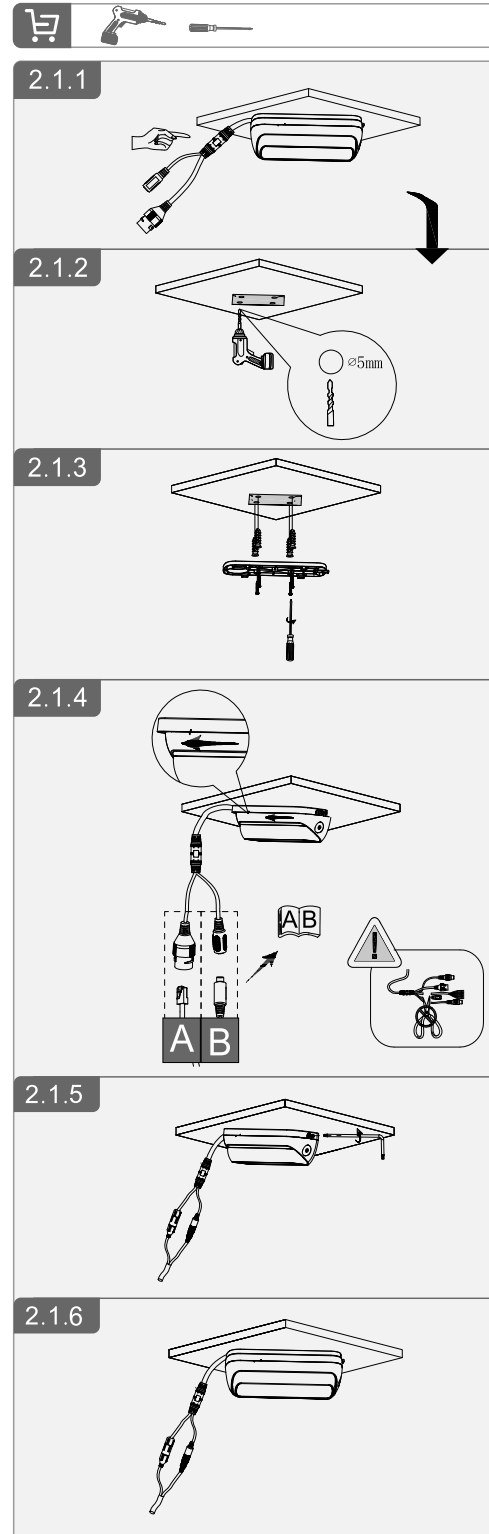
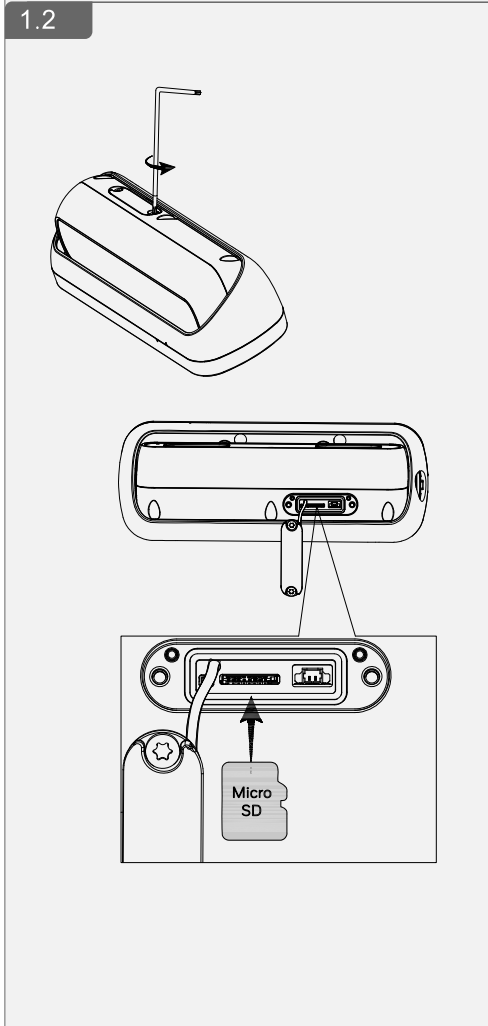
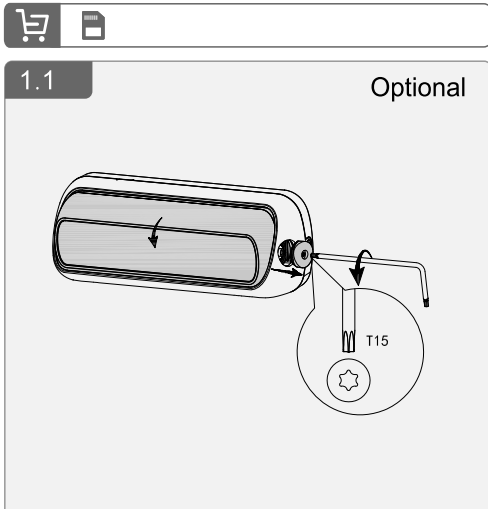
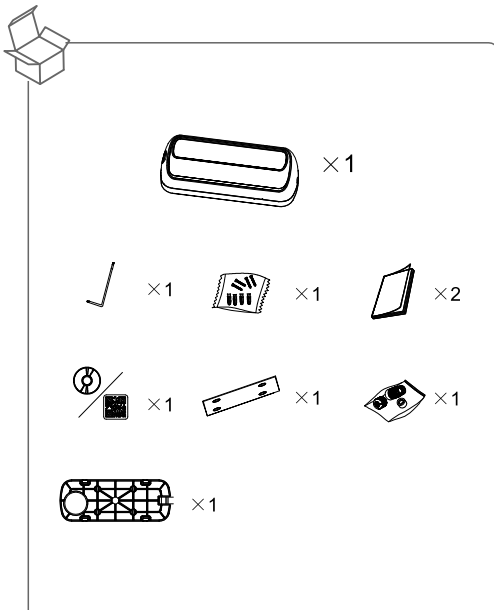
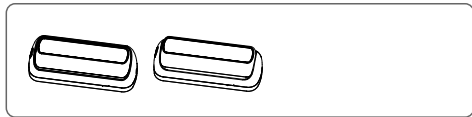
3.1

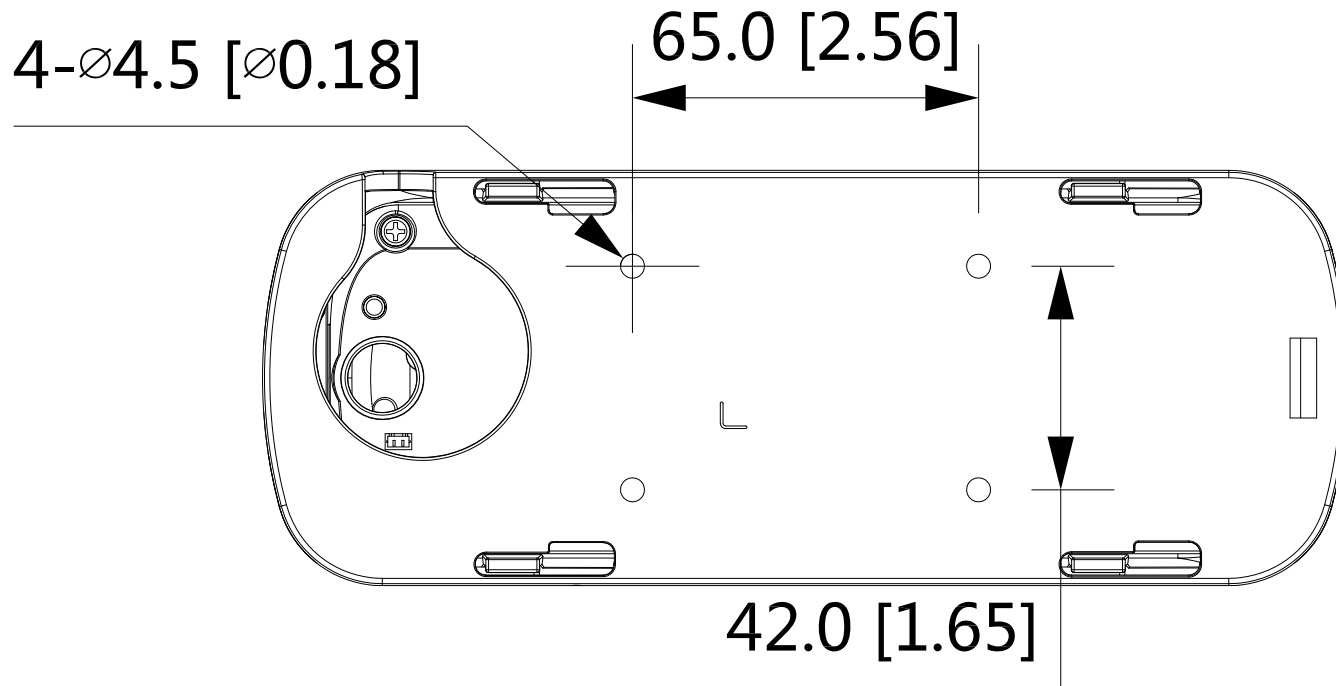
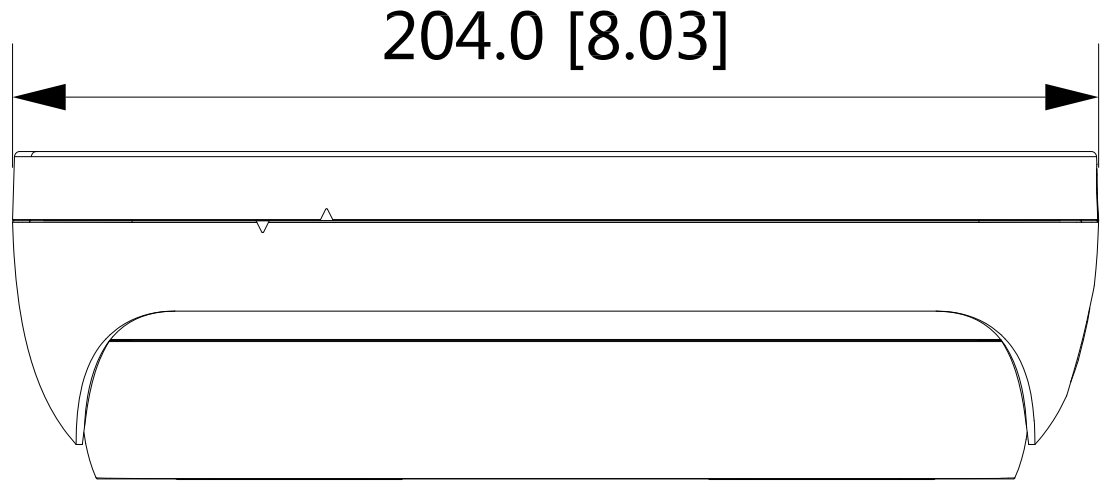
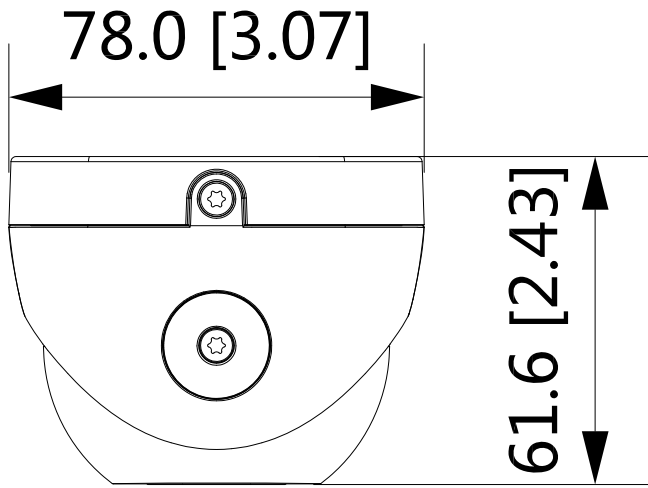


Dual-lens Network Camera

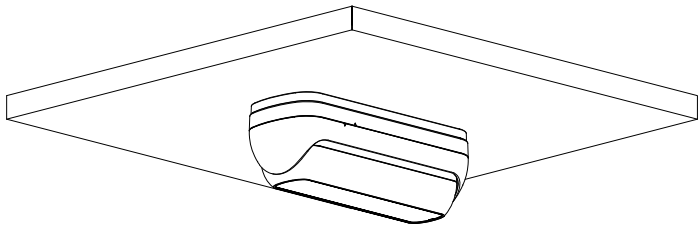
Installation Guide

V1.0.0

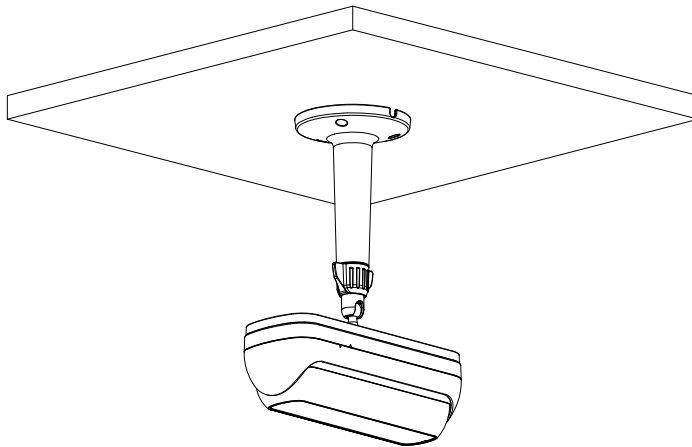




Ceiling Mount



Ceiling Mount



Pole Mount(Horizontal)

