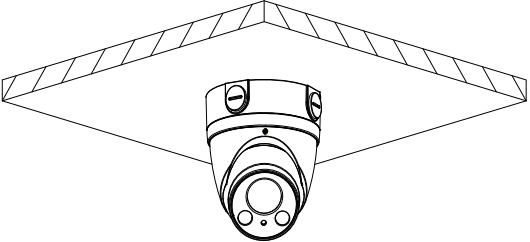
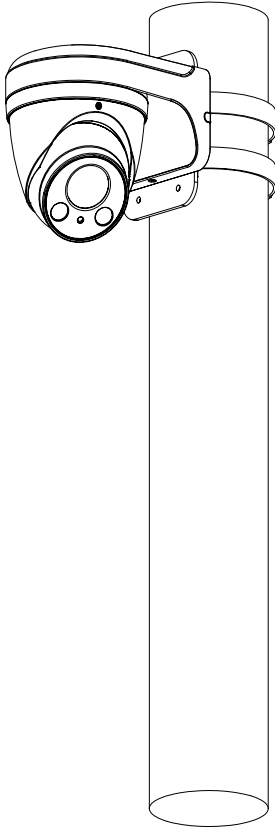
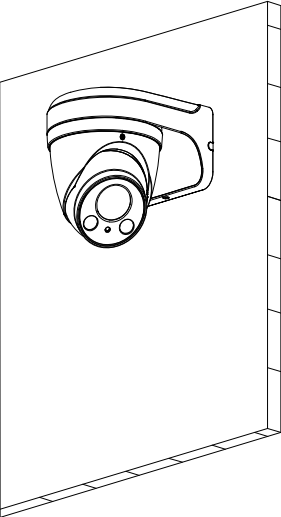


Junction Mount	Pole Mount
PFA130-E	PFB203W + PFA152-E
 A line drawing of a dome-shaped camera (PFA130-E) mounted to a ceiling. The camera is positioned in the center of a square ceiling panel, with the panel's edges shown in perspective.	 A line drawing of a dome-shaped camera (PFA152-E) mounted to a vertical pole. The camera is attached to the pole via a bracket with a strap. The pole is a simple vertical cylinder.
Wall Mount	
PFB203W	
 A line drawing of a dome-shaped camera (PFB203W) mounted to a wall. The camera is shown in a three-quarter view, attached to a rectangular wall panel.	