

# Network Video Recorder

## NVR302-E-P-B Series



### Key Features

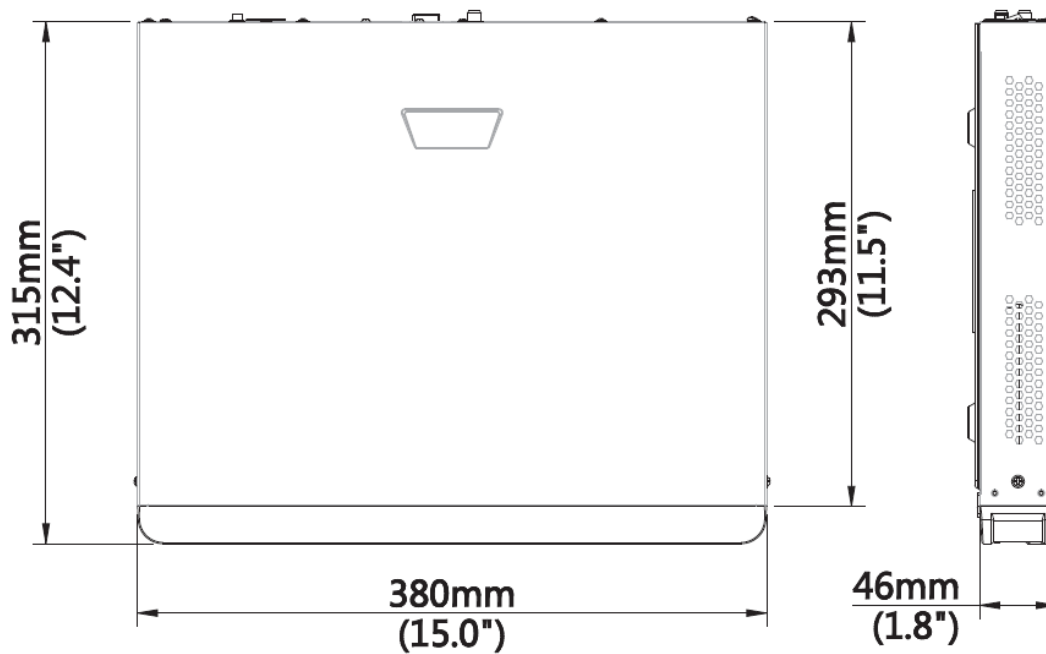
- Support Ultra 265/H.265/H.264 video formats
- 8/16-channel input
- Third-party IP cameras supported with ONVIF conformance: Profile S, Profile G, Profile T
- Support 1-ch HDMI, 1-ch VGA, HDMI at up to 4K(3840x2160) resolution
- HDMI and VGA simultaneous output
- Up to 12 Megapixels resolution recording
- 2 SATA HDDs, up to 10TB for each HDD
- Various fisheye dewarping modes for live view and playback for both web interface and GUI
- Plug & Play with up to 8/16 independent PoE network interfaces
- ANR technology to enhance the storage reliability when the network is disconnected
- Support cloud upgrade

## Specifications

Model	NVR302-08E-P8-B	NVR302-16E-P8-B	NVR302-16E-P16-B
<b>Video/Audio Input</b>			
IP Video Input	8-ch	16-ch	
Two-way Audio Input	1-ch, RCA		
<b>Network</b>			
Incoming Bandwidth	80Mbps	160Mbps	
Outgoing Bandwidth	160Mbps	320Mbps	
Remote Users	128		
Protocols	P2P, UPnP, NTP, DHCP, PPPoE		
<b>Video/Audio Output</b>			
HDMI/VGA Output	VGA: 1920x1080p /60Hz, 1920x1080p /50Hz, 1600x1200 /60Hz, 1280x1024 /60Hz, 1280x720 /60Hz, 1024x768 /60Hz HDMI: 4K (3840x2160) /60Hz, 4K (3840x2160) /30Hz, 1920x1080p /60Hz, 1920x1080p /50Hz, 1600x1200 /60Hz, 1280x1024 /60Hz, 1280x720 /60Hz, 1024x768 /60Hz		
Recording Resolution	12MP/8MP/6MP/5MP/4MP/3MP/1080p/960p/720p/D1/2CIF/CIF		
Audio Output	1-ch, RCA		
Synchronous Playback	8-ch	16-ch	
Corridor Mode Screen	3/4/5/7/9	3/4/5/7/9/10/12/16	
<b>Decoding</b>			
Decoding format	Ultra 265, H.265, H.264		
Live view/ Playback	12MP/8MP/6MP/5MP/4MP/3MP/1080p/960p/720p/D1/2CIF/CIF		
Capability	3 x 12MP@25, 4 x 4K@30, 8 x 4MP@30, 16 x 1080P@30		
<b>Hard Disk</b>			
SATA	2 SATA interfaces		
Capacity	up to 10TB for each disk		
<b>Smart</b>			
VCA Detection	Face detection, Intrusion detection, Cross line detection, Audio detection, Defocus detection, Scene change detection, Auto tracking		
VCA Search	Face search, Behavior search		
Statistical Analysis	People counting		
<b>External Interface</b>			
Network Interface	1 RJ-45 10M/100M/1000M self-adaptive Ethernet Interface		
USB Interface	Front panel: 1 x USB2.0, Rear panel: 1 x USB3.0		
Alarm In	4-ch		
Alarm Out	1-ch		

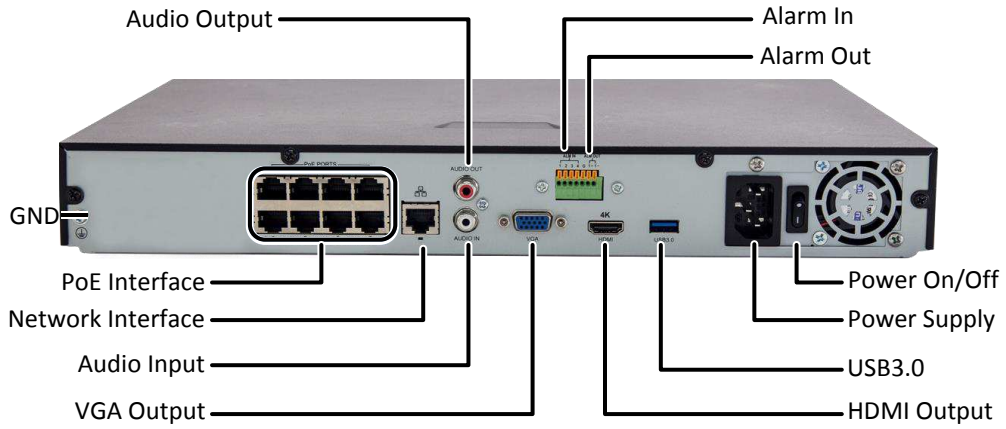
PoE		
Interface	8 independent 100 Mbps PoE network interfaces	16 independent 100 Mbps PoE network interfaces
Max Power	Max 30W for single port Max 130W in total ( 16.25W for each )	Max 30W for single port Max 240W in total ( 15W for each )
Supported Standard	IEEE 802.3af/at	
General		
Power Supply	100 ~ 240 V AC Power Consumption: ≤ 12 W( without HDD )	
Working Environment	-10°C ~ + 55°C ( +14°F ~ +131°F ), Humidity ≤ 90% RH(non-condensing)	
Dimensions(W×D×H)	380 mm × 315mm × 46 mm(15" × 12.4"×1.8")	
Weight ( without HDD )	≤2.42kg ( 5.34lb )	≤2.48kg ( 5.47lb )

## Dimensions



## Rear Panel

Take **NVR302-16E-P8-B** for example



**Zhejiang Uniview Technologies Co., Ltd.**

Building No.10, Wanlun Science Park, Jiangling Road 88, Binjiang District, Hangzhou, Zhejiang, China

Email: [overseasbusiness@uniview.com](mailto:overseasbusiness@uniview.com); [globalsupport@uniview.com](mailto:globalsupport@uniview.com)

<http://sgcdn.uniview.com>

©2016-2018 Zhejiang Uniview Technologies Co.,Ltd. All rights reserved.

\*Product specifications and availability are subject to change without notice.

# 8MP Network IR Fixed Dome Camera

IPC3618SR3-DPF28 (40)



## Key Features

### Optics

- Day/night functionality
- Smart IR , up to 30 m (98 ft) IR distance
- Optical glass window with higher light transmittance
- IR anti-reflection window to increase the infrared transmittance
- 2D/3D DNR (Digital Noise Reduction)
- Day/night functionality
- Up to 120 dB WDR (Wide Dynamic Range)

### Compression

- Ultra 265, H.264, MJPEG
- Embedded smart algorithm
- Triple streams
- 9:16 corridor format

## Network

- ONVIF Conformance

## Structure

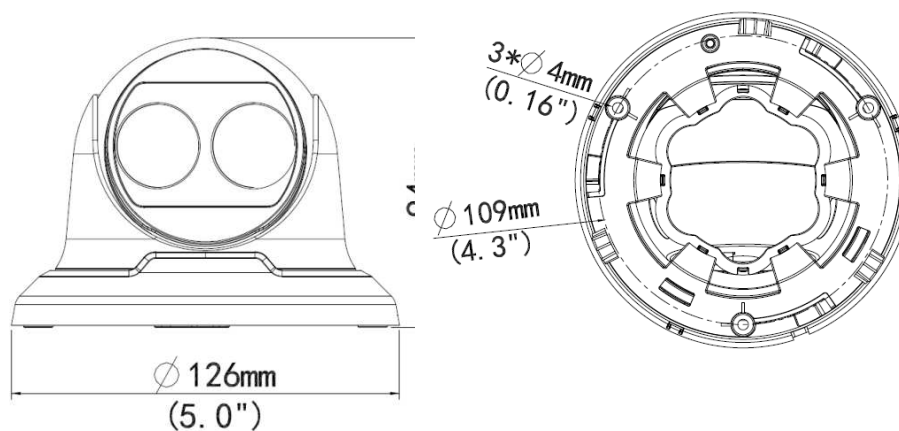
- Wide temperature range: -30°C to 60°C (-22°F to 140°F)
- Wide voltage range of ±25%
- IP67
- 3-Axis

## Specifications

	IPC3618SR3-DPF28	IPC3618SR3-DPF40			
<b>Camera</b>					
Sensor	1/2.5", 8.0 megapixel, progressive scan, CMOS				
Lens	2.8mm@F2.0		4.0mm@F2.0		
Angle of view(H)	118.1°		91.6°		
Angle of view(V)	64.0°		47.2°		
Angle of view(O)	153.5°		112.7°		
DORI Distance	Lens	Detect(m)	Observe(m)	Recognize(m)	Identify(m)
	2.8mm	50.4	20.2	10.1	5.0
	4.0mm	72	28.8	14.4	7.2
Adjustment Range	Pan: 0°~360°		Tilt: 0° ~ 90°		Rotation: 0° ~ 360°
Shutter	Auto/Manual, 1~1/100000 s				
Minimum Illumination	Colour: 0.001Lux (F2.0, AGC ON) 0 Lux with IR				
Day/Night	IR-cut filter with auto switch (ICR)				
Digital noise reduction	2D/3D DNR				
S/N	>52 dB				
IR Range	Up to 30m (98 ft) IR range				
Defog	Digital Defog				
WDR	120dB				
<b>Video</b>					
Video Compression	Ultra 265, H.264, MJPEG				
H.264 code profile	Baseline profile, Main Profile, High Profile				
Frame Rate	Main Stream:8MP (3840*2160): Max. 15 fps, Sub Stream:1080P (1920*1080): Max. 30 fps; Third Stream:D1(720*576) : Max. 30 fps				
HLC	Supported				
BLC	Supported				
9:16 Corridor Mode	Supported				
OSD	Up to 8 OSDs				

Privacy Mask	Up to 8 areas
ROI	Up to 8 areas
Motion Detection	Up to 4 areas
<b>Smart</b>	
Behavior Detection	Intrusion, cross line, motion detection
Intrusion	Enter and loiter in a pre-defined virtual region
cross line	Cross a pre-defined virtual line
motion detection	Moving within a pre-defined virtual region
Recognition	Face detection
Intelligent Identification	Defocus, Scene Change
Statistical Analysis	People counting
General Function	Watermark, IP Address Filtering, Tampering Alarm, Access Policy, ARP Protection, RTSP Authentication, User Authentication
<b>Network</b>	
Protocols	IPv4, IGMP, ICMP, ARP, TCP, UDP, DHCP, RTP, RTSP, RTCP, DNS, DDNS, NTP, FTP, UPnP, HTTP, HTTPS, SMTP, SSL
Compatible Integration	ONVIF(Profile S), API
<b>Interface</b>	
Network	10M/100M Base-TX Ethernet
<b>General</b>	
Power	12 V DC±25%, PoE (IEEE802.3 af)
	Power consumption: Max 5.5W
Dimensions (Ø x H)	Ø126 x 94 mm (Ø5.0" x 3.7")
Weight	0.45kg ( 0.99lb)
Operating Conditions	-30°C ~ 60°C (-22° F ~ 140° F), Humidity ≤ 95% RH(non-condensing)
Ingress Protection	IP67

## Dimensions



**Zhejiang Uniview Technologies Co.,Ltd.**

South Tower, Building 10, Wanlun Science Park, 88 Jiangling Road, Hangzhou, P.R.China 310051

Email: [overseasbusiness@uniview.com](mailto:overseasbusiness@uniview.com); [globalsupport@uniview.com](mailto:globalsupport@uniview.com)

<http://www.uniview.com>

©2018 Zhejiang Uniview Technologies Co.,Ltd. All rights reserved.

\*Product specifications and availability are subject to change without notice.