

2M IR Network Mini PTZ Dome Camera

IPC6412LR3-X5P



Key Features

Optics

- Day/night functionality
- Smart IR , up to 30 m (98 ft) IR distance
- Optical glass window with higher light transmittance
- IR anti-reflection window to increase the infrared transmittance
- 2D/3D DNR (Digital Noise Reduction)

Compression

- Ultra 265,H.265, H.264, MJPEG
- Triple streams
- ROI (Region of Interest)

Network

- ONVIF Conformance

Structure

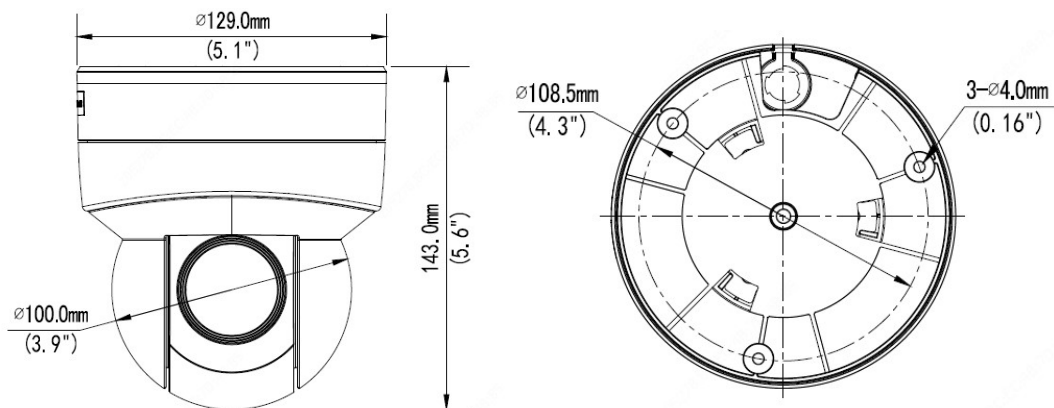
- Support PoE power supply
- Built-in PoE splitter that outputs DC 12
- Wide temperature range: -10°C to 50°C (14°F to 122°F)
- Wide voltage range of $\pm 25\%$

Specifications

| | | | | | |
|-------------------------|--|-----------|--------------|--------------|-----------------|
| | IPC6412LR3-X5P | | | | |
| Camera | | | | | |
| Sensor | 1/2.9" progressive scan, 2.0 megapixel, CMOS | | | | |
| Lens | 2.7~13.5mm, AF automatic focusing and motorized zoom lens | | | | |
| DORI Distance | Lens | Detect(m) | Observe(m) | Recognize(m) | Identify(m) |
| | 2.7mm | 40.5 | 16.2 | 8.1 | 4.1 |
| | 13.5mm | 202.5 | 81.0 | 40.5 | 20.3 |
| Angle of View (H) | 112.7°~28.1° | | | | |
| Angle of View (V) | 60.1°~15.4° | | | | |
| Angle of View (O) | 146.5°~33.2° | | | | |
| Adjustment angle | Pan: 0°~350° | | Tilt: 0°~90° | | Rotate: 0°~355° |
| Shutter | Auto/Manual, shutter time: 1 s ~ 1/100000 s | | | | |
| Minimum Illumination | Colour: 0.03 lux (F1.2,AGC ON) 0 lux with IR | | | | |
| Iris | F1.2 | | | | |
| Day/Night | IR-cut filter with auto switch (ICR) | | | | |
| Digital noise reduction | 2D/3D DNR | | | | |
| S/N | >55 dB | | | | |
| IR Range | UP to 30m (98ft) | | | | |
| WDR | DWDR | | | | |
| Video | | | | | |
| Video Compression | Ultra 265,H.265, H.264, MJPEG | | | | |
| H.264 code profile | Baseline profile, Main Profile | | | | |
| Frame Rate | Main Stream:1080P (1920×1080):Max. 30 fps; Sub Stream:720P (1920×1080):Max. 25 fps; Third Stream: CIF (352×288): Max. 25 fps | | | | |
| HLC | Supported | | | | |
| BLC | Supported | | | | |
| OSD | Up to 4 OSDs | | | | |
| Privacy Mask | Up to 8 areas | | | | |
| ROI | Up to 2 areas | | | | |
| Motion Detection | Up to 4 areas | | | | |
| Storage | | | | | |
| Edge Storage | Micro SD, up to 256 GB | | | | |
| Network Storage | ANR | | | | |
| Network | | | | | |
| Protocols | IPv4, IGMP, ICMP, ARP, TCP, UDP, DHCP, RTP, RTSP, RTCP, DNS, DDNS, NTP, FTP, UPnP, HTTP, HTTPS, SMTP, SSL | | | | |
| Compatible Integration | ONVIF(Profile S, Profile G), API | | | | |
| Pan & Tilt | | | | | |
| Pan Range | 350° | | | | |
| Pan Speed | 0.1°/s ~ 60°/s | | | | |

| | |
|---------------------|---|
| | Preset speed: 60°/s |
| Tilt Range | 0° ~ 90° (auto reverse) |
| Tilt Speed | 0.1° ~ 50°/s |
| | Preset speed: 50°/s |
| Number of Presets | 1024 |
| Patrol | Preset patrol, route patrol, recorded patrol |
| Home Position | Supported |
| Interface | |
| Network | 1 RJ45 10M/100M Base-TX Ethernet |
| Built-in Mic | Supported |
| General | |
| Power | DC 12V±25%, PoE (IEEE802.3 af) |
| | Power consumption: Max 12W |
| Dimensions (∅ x H) | ∅129mm×143mm(∅5.07" x5.63") |
| Weight | 3kg(6.6lb) |
| Working Environment | -10°C ~ +50°C (14°F ~ 122°F), Humidity:10%~90% RH(non-condensing) |
| Reset Button | Supported |

Dimensions



Zhejiang Uniview Technologies Co., Ltd.

South Tower, Building 10, Wanlun Science Park, 88 Jiangling Road, Hangzhou, P.R.China 310051

Email: overseasbusiness@uniview.com; globalsupport@uniview.com

<http://www.uniview.com>

©2018 Zhejiang Uniview Technologies Co., Ltd. All rights reserved.

*Product specifications and availability are subject to change without notice.