

AVTPSK

VANDAL RESISTANT CEILING HOUSING FOR INDOOR INSTALLATION

MAIN FEATURES

Made of steel, 2,5mm (0.1in) thick

Vandal resistant window, 4mm (0.15in) in anti-scratch polycarbonate

Impact resistance IK10 according to EN 62262

Compass opening by means of a lock with individual or with universal key

Without external screws

Possibility of external connections by means of 3 glands or directly from the ceiling

Accessories available: thermostated heater, camera power supply and alarm tamper switch

DESCRIPTION

The AVTPSK housings have been designed for surveillance applications in places highly exposed to vandalism, such as underground parking lots, subway stations, prisons, police stations, corridors, supermarkets, etc.

AVTPSK is constructed from 2.5mm thick sheet steel and painted with epoxy polyester powder.

The housing is equipped with an internal bracket for the camera attachment and adjustment.

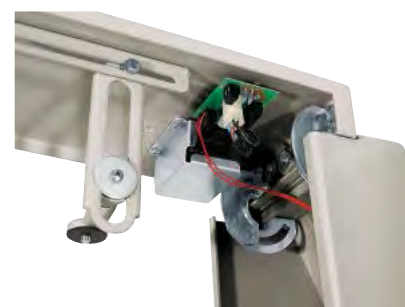
The compass opening allows easy installation and maintenance.

A vandal resistant polycarbonate window is fixed on the front by means of an iron frame.

The cable outlet is made possible from the fixing base and from the 3 M20 cable glands on the back side.



AVTPSKB



AVTPSKB

AVAILABLE MODELS

AVTPSK0A000B	Vandal resistant ceiling housing with individual lock and key
AVTPSK0A101B	Vandal resistant ceiling housing with common lock and key

TECHNICAL DATA

GENERAL

Built in sheet steel 2.5mm thick (0.1in)
 Epoxypolyester powder painting, RAL9002 colour
 Stainless steel window frame
 Vandal resistant polycarbonate window, 4mm (0.1in) thick
 Compass opening

MECHANICAL

External dimensions (WxHxL): 386x178x187mm (15.2x7x7.4in)
 Individual key lock (AVTPSK0A000B)
 Common key lock (AVTPSK0A101B)
 Cable outlet through fixing side or 3 M20 cable glands
 Window dimensions: 130x96mm (5.1x3.8in)
 Unit weight: 6.3kg (14lb)

ELECTRICAL

Heater (Ton 15°C±3°C (59°F ±5°F), Toff 22°C±3°C (77°F±5°F))

- Power supply/Consumption: 12Vdc/24Vac, 20W max
- Power supply/Consumption: 120Vac/230Vac, 40W max

Camera power supply

- IN 100-240Vac, 50/60Hz - OUT 12Vdc, 1A
- IN 230Vac, 50/60Hz - OUT 24Vac, 50/60Hz, 400mA

ENVIRONMENT

Indoor
 Operating temperature with heating: -20°C / +60°C (-4°F / +140°F)

CERTIFICATIONS

CE EN61000-6-3, EN60065, EN50130-4
 Impact resistance IK10 EN62262

ACCESSORIES

OHEH24B	Heater 120/230Vac for HEG, HTG, AVTPSK, AVTPSC housings
OHEH25B	Heater 12Vdc/24Vac for HEG, HTG, AVTPSK, AVTPSC housings
OHEPS22	Wide range camera power supply IN 100-240Vac - OUT 12Vdc, 1A, for AVTPSC and AVTPSK housings
OHEPS23	Camera power supply IN 230Vac - OUT 24Vac, 400mA, for AVTPSC and AVTPSK housings
OA0VTPSTA	Tamper switch

SPARE PARTS

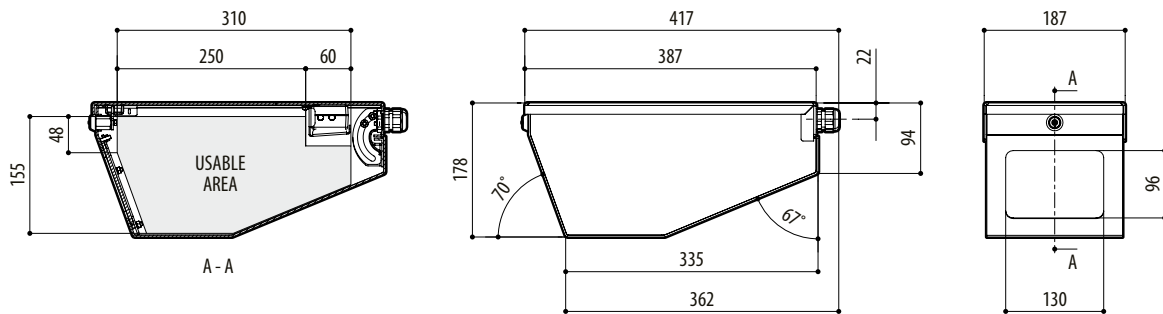
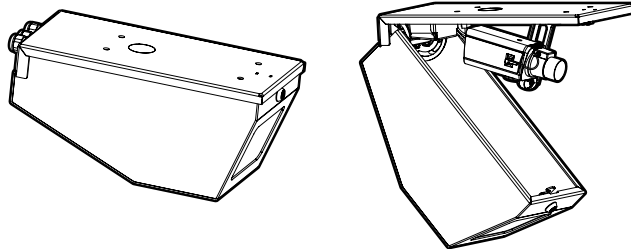
OSER1B	Individual key lock (AVTPSK0A000B)
--------	------------------------------------

PACKAGE

Model Number	Weight	Dimensions (WxHxL)	Master carton
AVTPSK0A000B	6.7kg (14.8lb)	22x20x44cm (9x8x17in)	4

TECHNICAL DRAWINGS

Sizes in millimeters.



AVTPSK