

DDF5200HDV-DN

Nightline

High Definition Camera, 2 MP, 1080p/60, 720p/120, H.264, Day/Night (ICR), Motor-driven Varifocal Lens, PoE, Dome Housing



The cameras of the **Nightline series** have been developed with special attention to changing light conditions for **24-hour video surveillance**. The combination of the most **advanced sensor and encoder technology** provides recordings with excellent contrast, brilliant clarity as well as **highest detail resolution and color fidelity**, even in low light conditions.

The DDF5200HDV-DN is available with an **integrated lens** in a **vandal-resistant dome housing**. It can be conventionally supplied with an external power supply unit or conveniently with **Power over Ethernet**.

Excellent Low-Light characteristics

The **extremely high light sensitivity** of the sensor and the sophisticated **image processing** ensure crisp **color images** even in the dark. In night mode, the camera also provides outstanding results due to the **excellent infrared sensitivity**.

Automatic switching of presets

The camera is equipped with an **ambient light sensor** and a **removable IR cut filter** and can automatically switch between **day and night mode**. In addition, **different day and night presets** can be defined and adjusted for the exposure settings.

Motor-driven varifocal lens with P-Iris

The camera has a **motor-driven varifocal lens** that is perfectly tuned to the image sensor. The adjustment of **zoom, focus and iris** is made conveniently using a **web browser**. The manual lens setting directly at the installation site of the camera is not required.

Digital Image Shift

The **Digital Image Shift** function allows a comfortable **fine adjustment of the captured image section** (horizontal and vertical at 16:9 resolutions, horizontal at 4:3 resolutions) via a **web browser**. Depending on the selected resolution, the used area on the image sensor can be moved and adapted to the local conditions. The **manual fine alignment** of the camera directly at the installation site is **not necessary**.

Video Content Analysis

The integrated **Video Content Analysis (VCA)** detects **movements and objects** in the uncompressed image and analyzes them in real-time (depending on the analysis resolution) with highly developed analysis functions such as **Intrusion Detection** or **Line Crossing**. The detected **events** can be used to trigger the recording of a **SMAVIA recording system**. Together with the detected objects and the corresponding metadata, they are stored in a database. This allows the targeted search and evaluation of the recordings by **SMAVIA Viewing Client** with the **SmartFinder** function.

EdgeStorage

The camera is equipped with a **RAM memory** that is used by the **EdgeStorage** function to store the video stream in case of a network failure (e.g. Spanning Tree, Bursts). When the network is restored, the **SmartBackfill** function ensures fast transmission to the **SMAVIA recording system**. This stores the video stream with high speed and then continues to record the live stream seamlessly.

Further features

- 1/1.9" Full HD CMOS image sensor
- Extremely high light sensitivity 0.002lux
- Memory expansion with microSDHC card
- Frame rate of 60 fps at 1080p
- Analog video preview output
- Video compression H.264, MJPEG
- Privacy Zone Masking
- Digital flip function
- Wide Dynamic Range (WDR)
- 3D Digital Noise Reduction (3D-DNR)
- Voltage supply with PoE (Class 0)
- Dome housing with vandalism protection (IK10)
- In-ceiling or surface mount version

DDF5200HDV-DN

Nightline

High Definition Camera, 2 MP, 1080p/60, 720p/120, H.264, Day/Night (ICR),
Motor-driven Varifocal Lens, PoE, Dome Housing

In-Ceiling Variants

005082.409



DDF5200HDV-DN-IM

High Definition Camera, 2 MP, 1080p/60, 720p/120, H.264, day/night (ICR),
motor-driven varifocal lens, PoE, dome housing,
in-ceiling mount variant, F1.6 / 4.5 – 10 mm

005082.410



DDF5200HDV-DN-IM

High Definition Camera, 2 MP, 1080p/60, 720p/120, H.264, day/night (ICR),
motor-driven varifocal lens, PoE, dome housing,
in-ceiling mount variant, F1.6 / 12 – 40 mm

Surface Variants

005083.409



DDF5200HDV-DN-SM

High Definition Camera, 2 MP, 1080p/60, 720p/120, H.264, day/night (ICR),
motor-driven varifocal lens, PoE, dome housing,
surface mount variant, F1.6 / 4.5 – 10 mm

005083.410



DDF5200HDV-DN-SM

High Definition Camera, 2 MP, 1080p/60, 720p/120, H.264, day/night (ICR),
motor-driven varifocal lens, PoE, dome housing,
surface mount variant, F1.6 / 12 – 40 mm

Accessories

001044



Tinted Bubble

For in-ceiling and surface mount variant, 4,5"

004316



PoE Midspan 30 W

Midspan power supply unit, 1x Ethernet port, 10/100/1000Base-T, 802.3at, 802.3af, 30 W

005017



Wall Mount Bracket (SM Housing)

Wall mount bracket with seals and internal cable routing, for vandal-resistant (IK10)
surface-mount housing (152 mm)

High Definition Camera, 2 MP, 1080p/60, 720p/120, H.264, Day/Night (ICR), Motor-driven Varifocal Lens, PoE, Dome Housing

| Sensor | |
|-------------------------|-------------------------|
| Type | 1/1.9" CMOS |
| Number of sensor pixels | 2MP |
| Light sensitivity | 0.002lux (F1.6, AGC ON) |
| Dynamic range | 94 dB |
| Signal to noise ration | > 50 dB |

| Lens | F1.6 / 4.5 – 10 mm | F1.6 / 12 – 40 mm |
|--|-----------------------------|----------------------------|
| Type | Motor-driven varifocal lens | |
| Format / Mount | 1/1.8" Board Lens | |
| Focal length | 4.5 – 10 mm | 12 – 40 mm |
| Iris range | F1.6 – Closed | |
| Iris control | P-Iris (motor-driven) | |
| Zoom / Focus control | Motor-driven | |
| Minimum object distance | 0.3 m | 0.6 m |
| IR corrected | Yes | |
| Available angles of view ¹⁾ (H × V) at wide end | Approx. 87° × 50° at 1080p | Approx. 35° × 19° at 1080p |
| Available angles of view ¹⁾ (H × V) at tele end | Approx. 40° × 23° at 1080p | Approx. 11° × 6° at 1080p |

| Format and Encoding | |
|------------------------------------|---|
| Video standard | SDTV (PAL/NTSC) HDTV (SMPTE 296M, SMPTE 274M) |
| Resolution in mode 1080p (16:9) | 1920 × 1080 (1080p) @ 50/60 fps 1280 × 720 (720p) @ 50/60 fps 640 × 480 (480p) @ 50/60 fps 320 × 240 @ 50/60 fps |
| Resolution in mode 1080p (4:3) | 1440 × 1080 @ 50/60 fps 1280 × 960 @ 50/60 fps |
| Resolution in mode 720p (16:9) | 1280 × 720 (720p) @ 100/120 fps 640 × 480 (480p) @ 100/120 fps 320 × 240 @ 100/120 fps |
| Video compression | H.264, MJPEG |
| Frame rate | Up to 120 fps |
| Video bit rate | 1 – 12 Mbps, CBR (constant bit rate), VBR (variable bit rate), with priority setting for image quality ²⁾ |
| Video streaming | Up to 4 streams with different settings simultaneously |
| Audio compression | G.711 |
| Audio bit rate | 64 kbps |
| Live streaming transmission method | Unicast, Multicast |
| Number of live streams / clients | Up to 5 streams with up to 12 Mbps simultaneously |

1) All specifications ±5%. Minor deviations with lenses may be a result of manufacturing tolerances and do not constitute a defect.
2) If the total available bit rate is not sufficient, not the image quality but the number of frames is adjusted.

High Definition Camera, 2 MP, 1080p/60, 720p/120, H.264, Day/Night (ICR),
Motor-driven Varifocal Lens, PoE, Dome Housing

| Functions | |
|--------------------------------------|--|
| Day/Night switching | Ambient light sensing and removable IR cut filter (ICR), switching threshold level adjustable |
| Black-and-white mode | Automatic (at low light or in night mode), On, Off |
| Automatic Electronic Shutter | 1/1 – 1/8000 s |
| Slow Shutter Limit | 1/1 – 1/1000 s |
| Lens control | Zoom control (Tele – Wide), Focus control (Far – Near, One-Push AF), Iris control (P-Iris) via web browser |
| Digital flip function | Horizontal, vertical or both axes |
| Digital Image Shift | Horizontal and vertical at 16:9 resolutions, horizontal at 4:3 resolutions |
| Digital Noise Reduction | 3D-DNR (adjustable by 10 levels) |
| Exposure presets | Universal, Indoor, Outdoor, Casino, Low-Light, User-Defined (with automatic day/night switching) |
| Exposure compensation | -2 EV (Exposure Value) to + 2 EV (adjustable by 200 levels) |
| Exposure metering | Average metering (light information from entire scene), center-weighted average metering, spot metering |
| Brightness adjustment | Automatic (ALC), Manual |
| Gain control | Automatic (AGC) with adjustable Gain Limit |
| White balance | Auto: ATW (Auto Tracking White Balance), One-Push AWB (Automatic White Balance) Fixed: 2800K, 4000K, 5000K, 6500K and 7500K |
| Privacy Zone Masking | Hiding/masking of any number of protected areas (up to 100% of the entire image) |
| Alarm notification | Via DaVid protocol to PGuard advance, via E-Mail and FTP image upload in preparation |
| Alarm trigger | Application restart, EdgeStorage status |
| Video Content Analysis ³⁾ | Intrusion Detection (detection of access to a defined area) Line Crossing (detection of a virtual line crossing) Tamper Detection (detection of manipulations on the camera) Object Classification (classification of objects) Face Detection (detection of faces) ⁴⁾ |

| Protocols | |
|-----------------------------------|--|
| Ethernet protocols | IPv4 (ARP, ICMP, IGMPv2/IGMPv3), UDP, TCP, LLDP, CDP(v1,v2), DSCP(QoS), DNS, DHCP, NTP, HTTP/HTTPS, RTSP/RTP/RTCP, SNMP(v1,v2c,v3) |
| Ethernet protocols in preparation | IPv6 (NDP, ICMPv6, MLDv1/MLDv2, SLAAC, RDNSS), UDPv6, TCPv6, DNSv6, DHCPv6, LDAP, IEEE 802.1X |

| Connections | |
|----------------------|--|
| Video preview output | 1x BNC (CVBS, 1.0 V _{p-p} , 75 Ω), 704 × 576 @50 Hz, 704 × 480 @60 Hz (4:3) 1x HDMI micro connector (type D), 1080p (1920 × 1080) @ 25/30 fps (16:9) |
| Audio Line IN | 1x 3.5 mm phone jack for stereo plug Input level: max. 2.83 V _{p-p} Input impedance: 29 kΩ |
| Audio Line OUT | 1x 3.5 mm phone jack for stereo plug Output level at 10 kΩ load: max. 3.11 V _{p-p} Output impedance: 320 Ω |
| Ethernet | 1x RJ45, 10BASE-T/100BASE-TX PoE/1000BASE-T PoE |
| Power IN | 1x Weidmüller male connector SL 3.50/02/90G (mating connector Weidmüller BL 3.50/02/180 SN) |

| Electrical Data | |
|-------------------|--------------------------|
| Voltage supply | 24 V DC PoE (Class 0) |
| PoE standard | IEEE 802.3af |
| Power consumption | Approx. 6 W |

3) Depending on the CPU load.

4) The function detects the presence of a face (Face Detection). The analysis of visible features and the link to person data (Face Recognition) are not supported.

DDF5200HDV-DN

High Definition Camera, 2 MP, 1080p/60, 720p/120, H.264, Day/Night (ICR), Motor-driven Varifocal Lens, PoE, Dome Housing

| Mechanical Data | DDF5200HDV-DN-IM | DDF5200HDV-DN-SM |
|------------------|--|--|
| Dimensions | Approx. Ø 170 × H 135 mm Ø 6.7 × H 5.3 inches | Approx. Ø 152 × H 136 mm Ø 6.0 × H 5.3 inches |
| Weight | Approx. 1200 g 2.6 lb | Approx. 1100 g 2.4 lb |
| Adjustment | 3-axes | |
| Bubble | Clear (with black inner liner) | |
| Vandal-resistant | Yes | |
| IK protection | IK10 (up to 20 joules) | IK10 (up to 20 joules) |
| IP rating | -- | IP67 |
| Color | Black with white housing ring | White |

| Environmental Conditions | |
|--------------------------|--------------------------------|
| Operating temperature | -20°C to +50°C (-4°F to 122°F) |
| Relative humidity | 0% - 90% RH, non-condensing |

| Miscellaneous | |
|------------------------------|--|
| Ambient light sensor | Integrated |
| Local memory | 50 MB RAM memory |
| Memory extension | microSDHC 32 GB, Class 10, UHS-I (optional) |
| Configuration and live video | Via web browser (all major platforms) |
| Languages | German, English |
| Programming interface | Open platform for integration into 3rd party systems using API and ActiveX ⁵⁾ |
| ONVIF compliance | Profile S |

| Approvals/Certifications | |
|--------------------------|--|
| Type | CE, FCC, RCM, UL, DIN EN 50130-4 compliant |

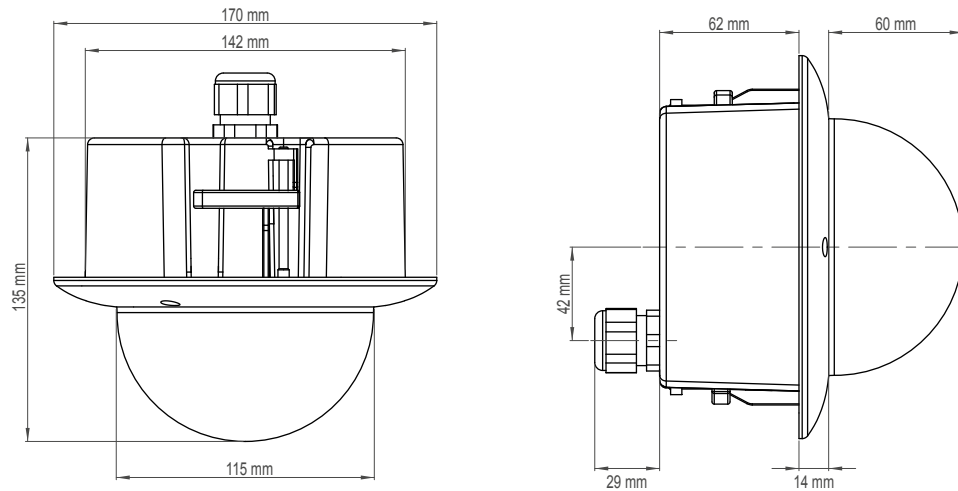
5) ActiveX is a trademark or registered trademark of Microsoft Corporation headquartered in Redmond, Washington, USA

DDF5200HDV-DN

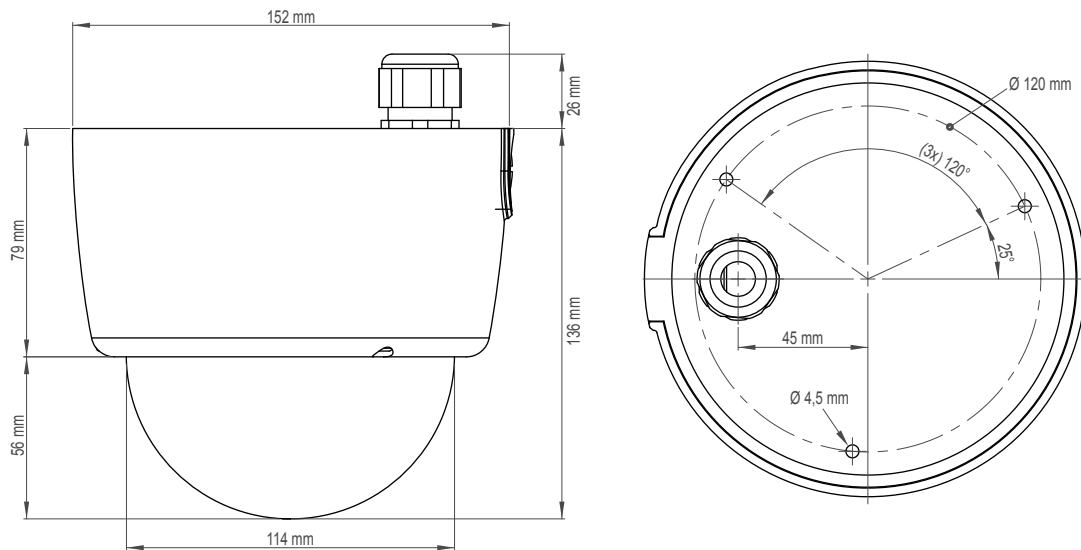
Nightline

High Definition Camera, 2 MP, 1080p/60, 720p/120, H.264, Day/Night (ICR),
Motor-driven Varifocal Lens, PoE, Dome Housing

DDF5200HDV-DN-IM



DDF5200HDV-DN-SM



See more.