

4K Ultra-HD SFP Network Box Camera

IPC568E-G



Key Features

Optics

- Auto day/night functionality
- 3D DNR (Digital Noise Reduction)
- Optical Defog & Digital Defog

Compression

- H.265, H.264, MJPEG
- Embedded smart algorithm
- 4000 * 3000 Resolution Supported
- Triple streams
- ROI (Region of Interest)
- 9:16 corridor format

Network

- Optional network interfaces with Ethernet RJ45 and optical SFP
- ONVIF Conformance

Structure

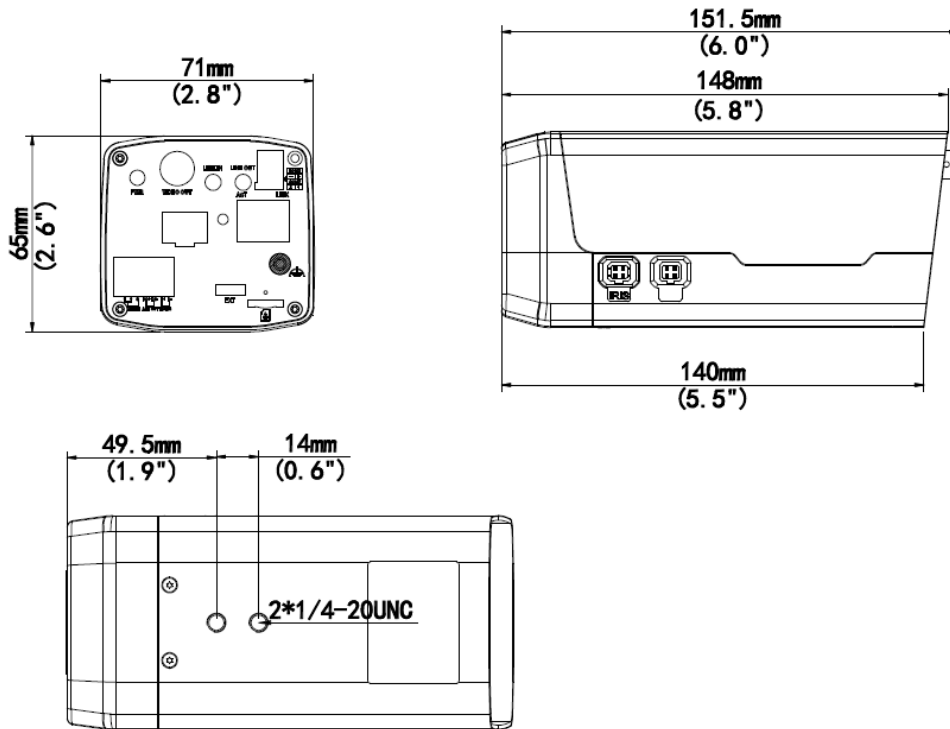
- AC 24V /DC 12 V/PoE with uninterruptible power supply
- Wide temperature range: -20°C to 60°C (-4°F to 140°F)
- Wide voltage range of $\pm 25\%$
- 6 KV surge protection designed for network interface

Specifications

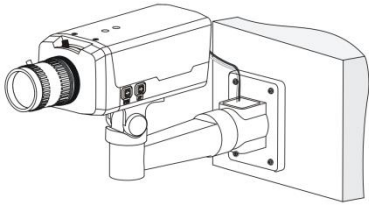
	IPC568E-G
Camera	
Sensor	1/1.7" CMOS, progressive scan
Shutter	Auto/Manual, 1/6~1/100000 s
Min. Illumination	Colour: 0.06 Lux (F1.2, AGC ON) 0 Lux with IR
Lens Mount	CS
DC-Iris	DC 4V (4-Pin)
Motor Zoom/focus	DC 5V (4-Pin)
White Light	Automatically removable IR-cut filter(ICR)
S/N	>55dB
WDR	Digital
Video	
Max. Resolution	4000 × 3000
Video Compression	H.265, H.264, MJPEG
Frame Rate	12 MP (4000×3000):Max.20 fps; 4K (3840×2160):Max.30 fps
Video Streaming	Triple
9:16 Corridor Mode	Supported
ROI	Supported
Defog	Optical Defog & Digital Defog
HLC	Supported
OSD	Up to 8 OSDs
Privacy Mask	Up to 4 areas
Smart	
Behavior Detection	Intrusion, crossing line, motion detection
Exception Detection	Audio detection
Intelligent Identification	Face detection
Statistical Analysis	People counting
Audio	
Audio Compression	G.711
Two-way audio	Supported
Storage	
Edge Storage	Micro SD, up to 128 GB
Network	
Protocols	L2TP, IPv4, IGMP, ICMP, ARP, TCP, UDP, DHCP, PPPoE, RTP, RTSP, RTCP, DNS, DDNS, NTP, FTP, UPnP, HTTP, HTTPS, SMTP, 802.1x
Compatible Integration	ONVIF, API
Interface	
Audio I/O	3.5 mm audio interface
	1 Input: impedance 35 kΩ; amplitude 2 V [p-p]
	1 Output: impedance 600 Ω; amplitude 2 V [p-p]
Alarm I/O	2 / 1

Serial Port	1 RS485 (support Pelco-D/P)
Network	100M/1000M Base-FX SFP + 100M/1000M Base-TX Ethernet
Video Output	1 BNC, impedance 75 Ω ; amplitude 1 V [p-p]
General	
Power	24 V AC, 12 V DC, or PoE (IEEE802.3 af)
	Power consumption: 6.5W (9.5W with ICR on)
Dimensions (L x W x H)	151.5 x 71 x 65 mm (6.0" x 2.8" x 2.6") (excluding the lens)
Weight	0.48 kg (1.1 lb)
Working Environment	-20°C ~ 60°C (-4°F ~ 140°F), Humidity \leq 95% RH(non-condensing)

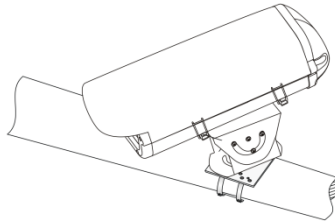
Dimensions



Installation



Bare mount



Housing mount

Accessories

Installation mode	Accessories	Description
Bare mount	TR-UM06-A-IN	Indoor wall, pendant, or desktop installation
Housing mount	Indoor housing: HS-108-IN Outdoor housing: HS-215S-IN, HS-215SHB-IN	Outdoor installation
Corridor Format mount	L-shaped mount: TR-SM06-IN	/

Zhejiang Uniview Technologies Co., Ltd.

Building No.10, Wanlun Science Park, Jiangling Road 88, Binjiang District, Hangzhou, Zhejiang, China (310051)

Email: overseasbusiness@uniview.com; globalsupport@uniview.com

<http://www.uniview.com>

©2016 Zhejiang Uniview Technologies Co., Ltd. All rights reserved.

*Product specifications and availability are subject to change without notice