

Network Video Recorder

NVR301-L-P Series



NVR301-L-P

Key Features

- 4/8/16-channel input
- Plug & Play with 4/8 independent PoE network interfaces
- Third-party IP cameras supported with ONVIF conformance
- Support 1-ch HDMI, 1-ch VGA, HDMI at up to 4K(3840x2160) resolution
- Up to 8 Megapixels resolution recording
- Support H.265/H.264 video formats
- Accurate retrieval, instant playback
- 1 SATA HDD up to 6 TB
- Support for P2P, UPnP, NTP, DHCP, PPPoE
- Support for mobile client access

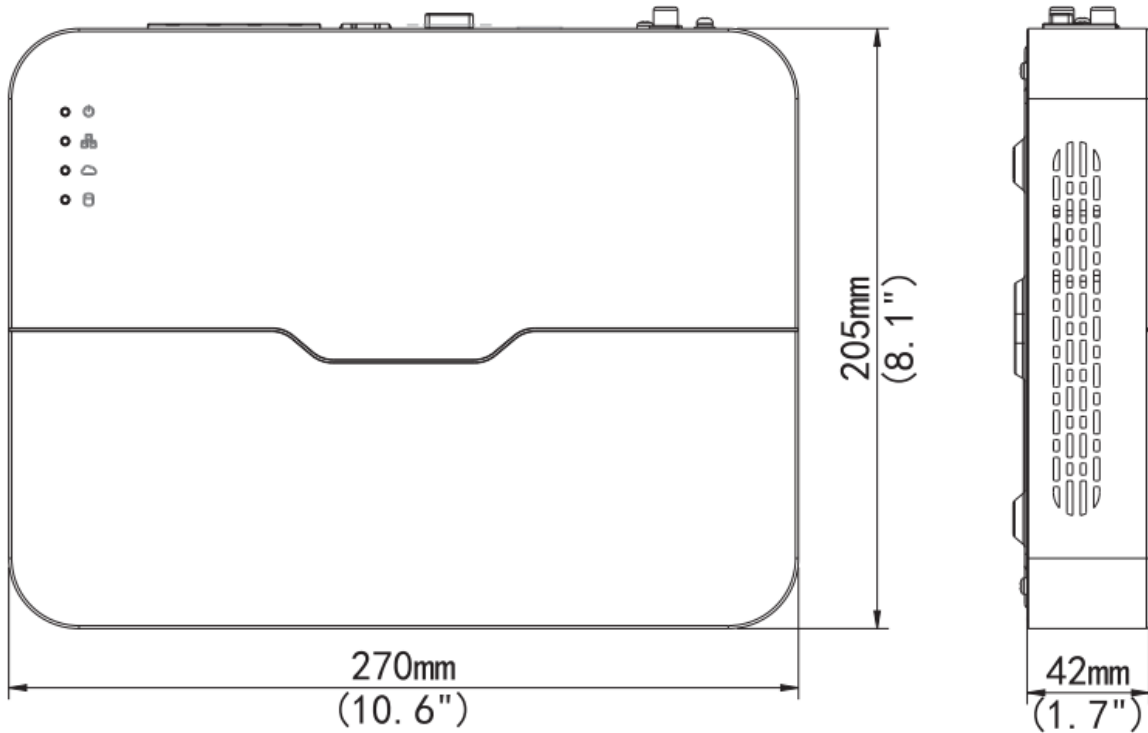
Specifications

	NVR301-04L-P4	NVR301-08L-P8	NVR301-16L-P8
Video and Audio			
IP Video Input	4-ch	8-ch	16-ch
Two-way audio Input	1-ch, RCA		
Network			
Incoming bandwidth	40Mbps	60Mbps	60Mbps
Outgoing bandwidth	64Mbps	64Mbps	80Mbps
Remote connection	128		
Video/Audio Output			
HDMI/VGA Output	HDMI: 4K (3840x2160) /30Hz, 1920x1080p /60Hz, 1920x1080p /50Hz, 1600x1200 /60Hz, 1280x1024 /60Hz, 1280x720 /60Hz, 1024x768 /60Hz VGA: 1920x1080p /60Hz, 1920x1080p /50Hz, 1600x1200 /60Hz, 1280x1024 /60Hz, 1280x720 /60Hz, 1024x768 /60Hz		
Audio Output	1-ch, RCA		
Recording Resolution	8MP/6MP/5MP/4MP/3MP/1080p/960p/720p/D1/2CIF/CIF		
Synchronous Playback	4-ch	8-ch	16-ch
Decoding			
Compression	H.265/H.264		
Live view/ Playback	8MP/6MP/5MP/4MP/3MP/1080p/960p/720p/D1/2CIF/CIF		
Capability	1 x 4K@30, 3 x 4MP@20, 4 x 1080p@25, 8 x 720p@25, 16 x D1		
Hard Disk			
SATA	1 SATA interface		
Capacity	up to 6TB for each disk		
External Interface			
Network Interface	1 RJ-45 10M/100M self-adaptive Ethernet Interface		
Network Function	HTTP, TCP/IP, IPV4, UPNP, RTSP, UDP, SMTP, NTP, DHCP, DNS, IP Filter, PPPOE, DDNS, FTP, IP Server, P2P		
USB Interface	Rear panel: 2 x USB2.0		
PoE			
Interface	4 independent 100 Mbps PoE network interfaces	8 independent 100 Mbps PoE network interfaces	
Supported Standard	IEEE 802.3at, IEEE 802.3af		
General			
Power Supply	48V DC	52V DC	
Consumption (without HDD)	≤ 8 W		

PoE	Max 30W for single port Max 54W in total (13.5W for each)	Max 30W for single port Max 108W in total (13.5W for each)
Working Temperature	-10°C ~ + 55°C (+14°F ~ +131°F)	
Working Humidity	10% ~ 90%	
Dimensions	42 × 205 × 205mm (1.7" × 8.1" × 8.1")	42 × 270 × 205mm (1.7" × 10.6" × 8.1")
Weight (without HDD)	0.59kg (1.3 lb)	≤ 0.68 Kg (1.50 lb)

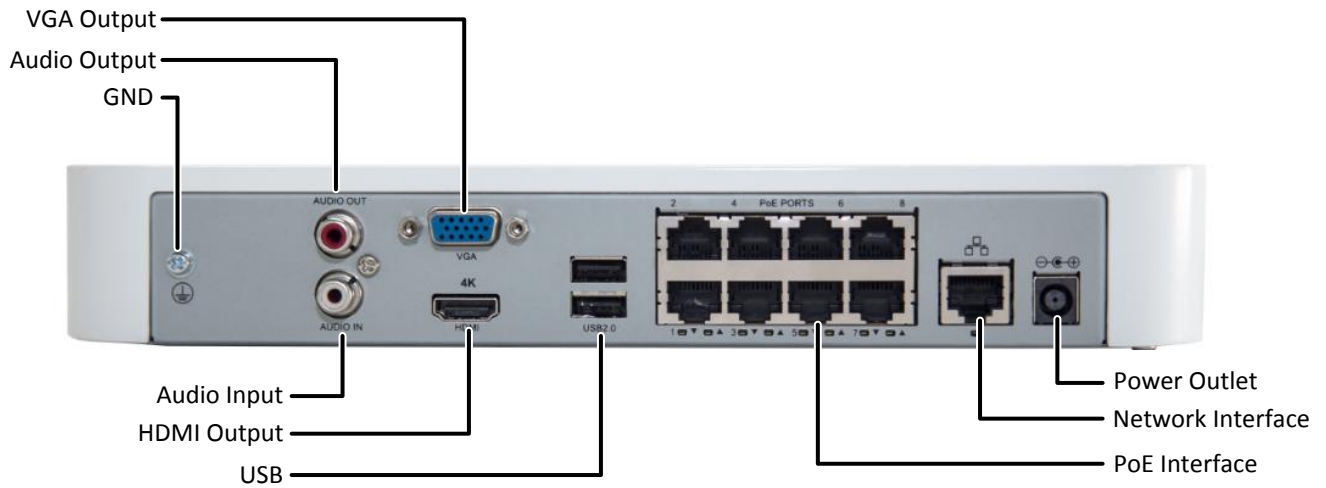
Dimensions

Take NVR301-08L-P8 for example



Rear Panel

Take NVR301-08L-P8 for example



Zhejiang Uniview Technologies Co., Ltd.

Building No.10, Wanlun Science Park, Jiangling Road 88, Binjiang District, Hangzhou, Zhejiang, China

Email: overseasbusiness@uniview.com; globalsupport@uniview.com

<http://www.uniview.com>

©2011-2016 Zhejiang Uniview Technologies Co.,Ltd. All rights reserved.

*Product specifications and availability are subject to change without notice.