

# 2MP Network IR Mini Bullet Camera

## IPC2122SR3 Series



## Key Features

### Optics

- Day/night functionality
- Smart IR , up to 30 m (98 ft) IR distance
- Optical glass window with higher light transmittance
- IR anti-reflection window to increase the infrared transmittance
- 3D DNR (Digital Noise Reduction)

### Compression

- H.264/MJPEG
- Triple streams
- 9:16 corridor format

### Network

- ONVIF Conformance

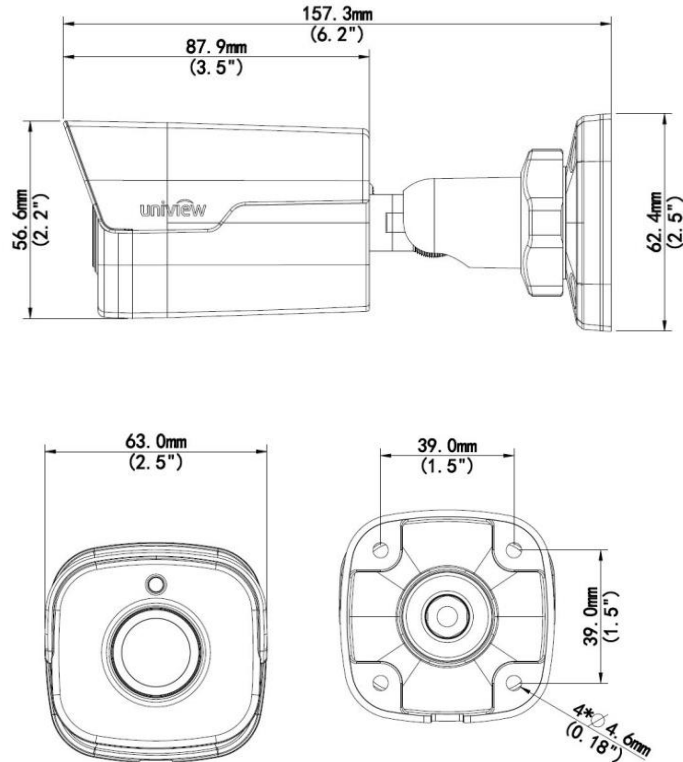
### Structure

- Wide temperature range: -35°C to 60°C (-31°F to 140°F)
- Wide voltage range of  $\pm 25\%$
- IP66

## Specifications

|                        | IPC2122SR3-PF36   | IPC2122SR3-PF60                     | IPC2122SR3-PF120                     |
|------------------------|---|-------------------------------------|--------------------------------------|
| <b>Camera</b>          |   |                                     |                                      |
| Sensor                 | 1/2.8", 2.0 megapixel, progressive scan, CMOS   |                                     |                                      |
| Lens                   | 3.6mm@F1.8<br>Angle of view(H): 85°   | 6.0mm@F1.8<br>Angle of view(H): 53° | 12.0mm@F1.8<br>Angle of view(H): 27° |
| Shutter                | Auto/Manual, 1/6~1/8000 s   |                                     |                                      |
| Min. Illumination      | Colour: 0.02 Lux (F1.8, AGC ON)<br>0 Lux with IR on   |                                     |                                      |
| Day/Night              | IR-cut filter with auto switch (ICR)  |                                     |                                      |
| IR Range               | Up to 30m (98 ft) IR range  |                                     |                                      |
| S/N                    | >52dB   |                                     |                                      |
| WDR                    | Digital   |                                     |                                      |
| Noise Reduction        | 2D/3D   |                                     |                                      |
| <b>Video</b>           |   |                                     |                                      |
| Max. Resolution        | 1920×1080   |                                     |                                      |
| Video Compression      | H.264/MJPEG   |                                     |                                      |
| Frame Rate             | 1080P (1920*1080): Max. 30 fps; 720P (1280*720): Max. 30 fps; D1 (720*576): Max. 25 fps                                     |                                     |                                      |
| Video Streaming        | Triple  |                                     |                                      |
| 9:16 Corridor Mode     | Supported   |                                     |                                      |
| ROI                    | Supported   |                                     |                                      |
| OSD                    | Up to 8 OSDs  |                                     |                                      |
| Motion Detection       | Up to 2 areas   |                                     |                                      |
| Privacy Mask           | Up to 4 areas   |                                     |                                      |
| <b>Network</b>         |   |                                     |                                      |
| Protocols              | L2TP, IPv4, IGMP, ICMP, ARP, TCP, UDP, DHCP, PPPoE, RTP, RTSP, DNS, DDNS, NTP, FTP, UPnP, HTTP, HTTPS, SMTP, SNMP, SIP, QoS |                                     |                                      |
| Compatible Integration | ONVIF, API  |                                     |                                      |
| <b>Interface</b>       |   |                                     |                                      |
| Network                | 1 RJ45 10M/100M Base-TX Ethernet  |                                     |                                      |
| <b>General</b>         |   |                                     |                                      |
| Power                  | 12 V DC, or PoE (IEEE802.3 af)  |                                     |                                      |
|                        | Power consumption: Max 6.4 W  |                                     |                                      |
| Dimensions (L × W × H) | 157.3 × 62.4 × 63 mm (6.2" × 2.5" × 2.5")   |                                     |                                      |
| Weight                 | 0.45 kg (0.99 lb)   |                                     |                                      |
| Working Environment    | -35°C ~ +60°C (-31°F ~ 140°F), Humidity ≤ 95% RH(non-condensing)  |                                     |                                      |
| Ingress Protection     | IP66  |                                     |                                      |

## Dimensions



## Accessories

| Installation mode | Accessories | Description  |
|-------------------|-------------|--|
| Wall mount        | \           | Mounting pedestal is included in the Product package |
| Ceiling mount     | \           | Mounting pedestal is included in the Product package |

### Zhejiang Uniview Technologies Co., Ltd.

Building No.10, Wanlun Science Park, Jiangling Road 88, Binjiang District, Hangzhou, Zhejiang, China (310051)

Email: [overseasbusiness@uniview.com](mailto:overseasbusiness@uniview.com); [globalsupport@uniview.com](mailto:globalsupport@uniview.com)

<http://www.uniview.com>

©2015 Zhejiang Uniview Technologies Co., Ltd. All rights reserved.

\*Product specifications and availability are subject to change without notice.