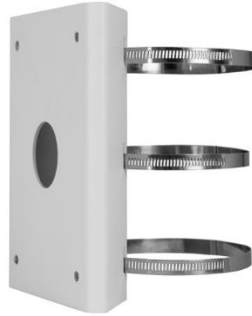


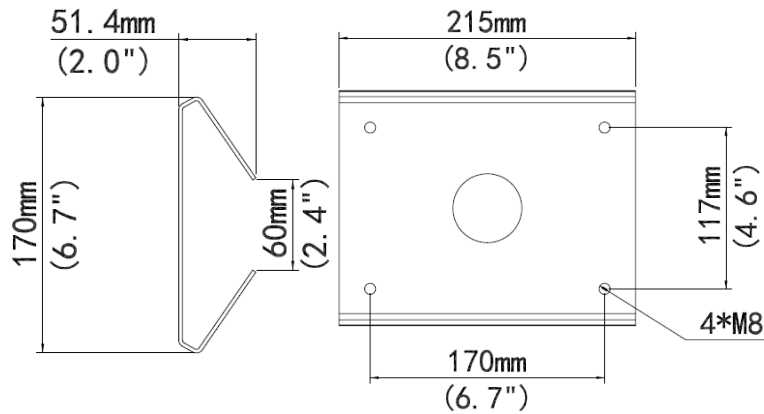
# TR-UP08-A-IN Pole Mount Adapter



## Specifications

|                       |  |
|-----------------------|--|
| Bracket               | TR-UP08-A-IN   |
| Application           | Indoor or outdoor, pole installation for PTZ dome camera |
| Dimensions(L × W × H) | 215mmx170mmx52mm (4.7"x4.7"x2.1")                        |
| Weight                | 1.47kg(3.2lb)  |
| Material              | aluminum alloy   |

## Dimensions



### Zhejiang Uniview Technologies Co.,Ltd.

South Tower, Building 10, Wanlun Science Park, 88 Jiangling Road, Hangzhou, P.R.China 310051

Email: [overseasbusiness@uniview.com](mailto:overseasbusiness@uniview.com); [globalsupport@uniview.com](mailto:globalsupport@uniview.com)

<http://www.uniview.com>

©2015 Zhejiang Uniview Technologies Co.,Ltd. All rights reserved.

\*Product specifications and availability are subject to change without notice.